




# Standard Cable Glands with Thread, Stainless Steel

## Stainless steel cable glands with lamellar clamping

- For high quality machines and housings.
- For high quality applications in corrosive environments.
- Applications: Outdoor, food industry, pharmaceutical industry and other sensitive applications.
- Easy assembly: install cable gland - insert cable - tighten cap.
- High quality strain relief and sealing, reliable performance for standard industrial applications.
- Up-to-date international approvals.

### Technical Details

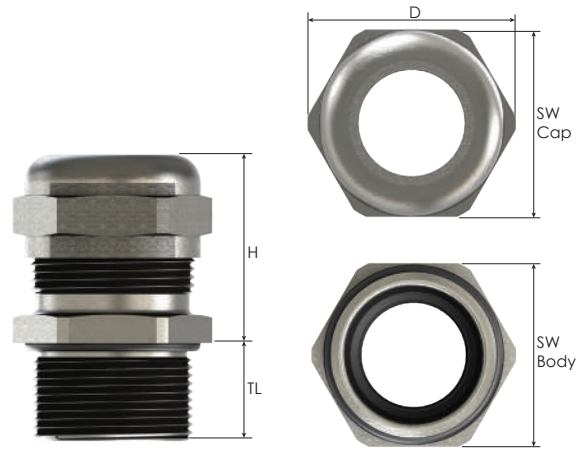
<b>Material</b>	<b>Body, Cap</b>	Stainless steel 1.4305 (AISI 303)	
	<b>Seal</b>	CR (Chloroprene)	
	<b>Clamping Insert</b>	PA 6 (Polyamide 6)	
	<b>O-Ring</b>	NBR	
<b>Ingress Protection Rating</b>	IP 68 - 5 Bar, 30 min		
<b>Flammability</b>	V2 according to UL94		
<b>Operating Temperature</b>	<b>Permanent</b>	-20 °C to +100 °C	
	<b>Intermittent</b>	-40 °C to +150 °C	
<b>Thread Type</b>	<ul style="list-style-type: none"> <li>• Metric EN 60423</li> <li>• PG DIN 40430</li> <li>• NPT ANSI B1.20.1</li> <li>• Other thread types also available upon request.</li> </ul>		
<b>Cable Type</b>	Non armoured		
<b>Accessories</b>	<ul style="list-style-type: none"> <li>• Lock nuts</li> <li>• Dome plugs</li> <li>• Reducing seals</li> <li>• Flat cable seals</li> <li>• Multihole seals</li> <li>• Gaskets (Washers)</li> </ul>		
	<ul style="list-style-type: none"> <li>• Different Seal types available.</li> <li>• Manufactured according to DIN EN 62444/50262.</li> <li>• We recommend the use of lock nuts and gaskets to ensure IP rating for rough surfaces or through holes.</li> <li>• Some approvals do not cover all sizes.</li> <li>• Accessories must be ordered separately.</li> <li>• Some approvals do not cover all sizes.</li> <li>• O-ring available in Metric and PG threads as a standard. For NPT threads O-ring available upon request.</li> </ul>		
<b>Remarks</b>	<p><b>Note:</b> Applications of most cable glands don't require same parameters applied to tests. For applications strictly acc. to the approval definitions please consult data sheet.</p>		
<b>Approvals</b>	<b>Certificate Number</b>	<b>Standards</b>	
	40040034	DIN EN 62444	
	E199260	UL514B CSA22.2 No 18.3-12 CSA22.2 No 94.2-15	
		UL50E	
<b>TYPE 4x</b>			
	E-14047	EN62444	

For more approvals: see our webpage.



Order Coding				
Part Number	-	Gasket (Washer)	Lock Nut	Sealing Plug
Mandatory	-	Option	Option	Option
See table	-	WC Chloroprene WS Silicone	L Lock Nut	P Dome Plug T Dust Plug
Example				
BMSD-04	-	WC	L	P

# Standard Cable Glands with Thread, Stainless Steel



Thread Type **METRIC** acc. to EN 60423




Outer Thread Size (Male)	Clamping Range Ø min-max mm	Outer Thread Length TL mm	Spanner Width		Outer Ø D mm	max. Height H mm	Part Number	Minimum Order Quantity
			Cap SW Cap mm	Body SW Body mm				
M12x1,5	2,0 - 5,0	6,0	14	14	15,5	24,0	BMSD-0S	1000
	2,0 - 5,0	12,0	14	14	15,5	24,0	BMSE-0SR	1000
	3,0 - 6,5	6,0	14	14	15,5	24,0	BMSC-0S	1000
	3,0 - 6,5	12,0	14	14	15,5	24,0	BMSE-ES	1000
M16x1,5	2,0 - 6,0	7,0	17	19	21,0	25,5	BMSD-01	900
	2,0 - 6,0	12,0	17	19	21,0	25,5	BMSE-01R	900
	3,0 - 7,0	7,0	22	22	24,5	30,5	BMSD-E1	600
	3,0 - 7,0	12,0	22	22	24,5	30,5	BMSE-E1R	600
	4,0 - 8,0	7,0	17	19	21,0	25,5	BMSC-01	900
	4,0 - 8,0	12,0	17	19	21,0	25,5	BMSE-01	900
	5,0 - 10,0	7,0	22	22	24,5	30,5	BMSC-E1	600
	5,0 - 10,0	12,0	22	22	24,5	30,5	BMSE-E1	600
M20x1,5	5,0 - 9,0	8,0	22	22	24,5	26,5	BMSD-02	500
	5,0 - 9,0	12,0	22	22	24,5	28,0	BMSE-E2R	500
	6,0 - 12,0	8,0	22	22	24,5	26,5	BMSC-02	500
	6,0 - 12,0	12,0	22	22	24,5	28,0	BMSE-E2	500
	7,0 - 13,0	8,0	24	24	26,5	30,5	BMSC-E2S	350
	10,0 - 14,0	8,0	24	24	26,5	30,0	BMSC-02S	350
	10,0 - 14,0	12,0	24	24	26,5	30,0	BMSE-02S	350
M25x1,5	7,0 - 12,0	8,0	24	27	30,0	30,0	BMSD-03	350
	7,0 - 12,0	12,0	24	27	30,0	30,0	BMSE-03R	350
	9,0 - 16,0	8,0	30	30	33,0	35,0	BMSD-03S	200
	9,0 - 16,0	12,0	30	30	33,0	35,0	BMSE-03SR	200
	10,0 - 14,0	8,0	24	27	30,0	30,0	BMSC-03	350
	10,0 - 14,0	12,0	24	27	30,0	30,0	BMSE-03	350
	11,0 - 17,0	8,0	27	27	30,0	32,5	BMSC-E3	350
	11,0 - 17,0	12,0	27	27	30,0	32,5	BMSE-E3	350
	13,0 - 18,0	8,0	30	30	33,0	35,0	BMSC-03S	200
	13,0 - 18,0	12,0	30	30	33,0	35,0	BMSE-03S	200
	M32x1,5	9,0 - 16,0	9,0	30	36	39,8	35,0	BMSD-04
9,0 - 16,0		15,0	30	36	39,8	35,0	BMSE-04R	200
12,0 - 20,0		9,0	41	41	45,5	39,5	BMSD-04S	100
12,0 - 20,0		15,0	41	41	45,5	39,5	BMSE-04SR	100
13,0 - 18,0		9,0	30	36	39,8	35,0	BMSC-04	200
13,0 - 18,0		15,0	30	36	39,8	35,0	BMSE-04	200
15,0 - 21,0		8,0	36	36	39,8	38,0	BMSC-E4	200
15,0 - 21,0		15,0	36	36	39,8	38,0	BMSE-E4	200
18,0 - 25,0		9,0	41	41	45,5	39,5	BMSC-04S	100
18,0 - 25,0		15,0	41	41	45,5	39,5	BMSE-04S	100
M40x1,5	12,0 - 20,0	9,0	41	46	51,4	40,5	BMSD-05	100
	12,0 - 20,0	15,0	41	46	51,4	40,5	BMSE-05R	100
	16,0 - 23,0	9,0	46	46	51,4	45,5	BMSC-E5	100
	16,0 - 23,0	15,0	46	46	51,4	45,5	BMSE-E5R	100
	19,0 - 28,0	9,0	46	46	51,4	45,5	BMSC-E5	100
	19,0 - 28,0	15,0	46	46	51,4	45,5	BMSE-E5	100
	18,0 - 25,0	9,0	41	46	51,4	40,5	BMSC-05	100
	18,0 - 25,0	15,0	41	46	51,4	40,5	BMSE-05	100
	22,0 - 32,0	9,0	50	50	55,5	51,0	BMSC-05S	50
22,0 - 32,0	15,0	50	50	55,5	51,0	BMSE-05S	50	
M50x1,5	20,0 - 26,0	9,0	50	55	61,0	50,0	BMSD-06	50
	20,0 - 26,0	15,0	50	55	61,0	50,0	BMSE-06R	50
	22,0 - 32,0	9,0	50	55	61,0	50,0	BMSC-06	50
	22,0 - 32,0	15,0	50	55	61,0	50,0	BMSE-06	50
	27,0 - 38,0	9,0	60	60	66,5	54,0	BMSC-E6	40
	27,0 - 38,0	15,0	60	60	66,5	54,0	BMSE-E6	40
	34,0 - 44,0	9,0	65	65	71,0	55,0	BMSC-06S	40
34,0 - 44,0	15,0	65	65	71,0	55,0	BMSE-06S	40	
M63x1,5	29,0 - 35,0	10,0	65	70	77,0	56,0	BMSD-E7	40
	29,0 - 35,0	14,0	65	70	77,0	55,0	BMSD-07	40
	29,0 - 35,0	18,0	65	70	77,0	55,0	BMSE-07R	40
	34,0 - 44,0	10,0	65	70	77,0	56,0	BMSC-E7	40
	34,0 - 44,0	14,0	65	70	77,0	55,0	BMSC-07	40
	34,0 - 44,0	18,0	65	70	77,0	55,0	BMSE-07	40
	37,0 - 53,0	10,0	75	75	83,0	53,0	BMSC-07S	20
	37,0 - 53,0	18,0	75	75	83,0	53,0	BMSE-07S	20

# Standard Cable Glands with Thread, Stainless Steel

## Stainless steel cable glands with lamellar clamping

- For high quality machines and housings.
- For high quality applications in corrosive environments.
- Applications: Outdoor, food industry, pharmaceutical industry and other sensitive applications.
- Easy assembly: install cable gland - insert cable - tighten cap.
- High quality strain relief and sealing, reliable performance for standard industrial applications.
- Up-to-date international approvals.

### Technical Details

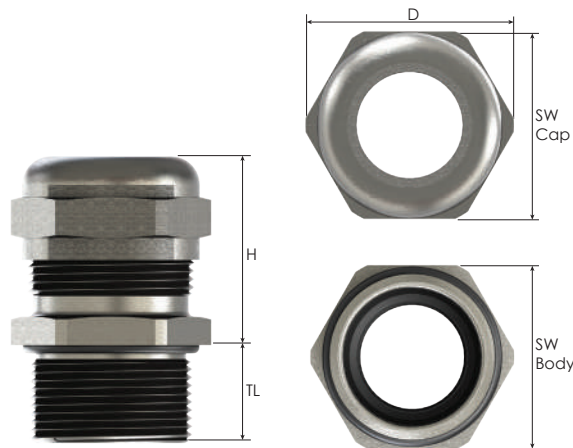
<b>Material</b>	<b>Body, Cap</b>	Stainless steel 1.4305 (AISI 303)	
	<b>Seal</b>	CR (Chloroprene)	
	<b>Clamping Insert</b>	PA 6 (Polyamide 6)	
	<b>O-Ring</b>	NBR	
<b>Ingress Protection Rating</b>	IP 68 - 5 Bar, 30 min		
<b>Flammability</b>	V2 according to UL94		
<b>Operating Temperature</b>	<b>Permanent</b>	-20 °C to +100 °C	
	<b>Intermittent</b>	-40 °C to +150 °C	
<b>Thread Type</b>	<ul style="list-style-type: none"> <li>• Metric EN 60423</li> <li>• PG DIN 40430</li> <li>• NPT ANSI B1.20.1</li> <li>• Other thread types also available upon request.</li> </ul>		
<b>Cable Type</b>	Non armoured		
<b>Accessories</b>	<ul style="list-style-type: none"> <li>• Lock nuts</li> <li>• Dome plugs</li> <li>• Reducing seals</li> <li>• Flat cable seals</li> <li>• Multihole seals</li> <li>• Gaskets (Washers)</li> </ul>		
	<ul style="list-style-type: none"> <li>• Different seal types available.</li> <li>• Manufactured according to DIN EN 62444/50262.</li> <li>• We recommend the use of lock nuts and gaskets to ensure IP rating for rough surfaces or through holes.</li> <li>• Some approvals do not cover all sizes.</li> <li>• Accessories must be ordered separately.</li> <li>• Some approvals do not cover all sizes.</li> <li>• O-ring available in Metric and PG threads as a standard. For NPT threads O-ring available upon request.</li> </ul>		
<b>Remarks</b>	<p><b>Note:</b> Applications of most cable glands don't require same parameters applied to tests. For applications strictly acc. to the approval definitions please consult data sheet.</p>		
<b>Approvals</b>	<b>Certificate Number</b>	<b>Standards</b>	
	40040034	DIN EN 62444	
	E199260	UL514B CSA22.2 No 18.3-12 CSA22.2 No 94.2-1S	
<b>TYPE 4x</b>		UL50E	
	E-14047	EN62444	

For more approvals: see our webpage.



Order Coding			
Part Number	Gasket (Washer)	Lock Nut	Sealing Plug
Mandatory	- Option	Option	Option
See table	- WC Chloroprene - WS Silicone	L Lock Nut	P Dome Plug T Dust Plug
Example			
BMSD-04	- WC	L	P

## Standard Cable Glands with Thread, Stainless Steel



### Thread Type **NPT** acc. to ANSI B1.20.1

Outer Thread Size (Male)	Clamping Range Ø min-max mm	Outer Thread Length TL mm	Spanner Width		Outer Ø D mm	max. Height H mm	Part Number	Minimum Order Quantity
			Cap SW Cap mm	Body SW Body mm				
NPT 3/8"	2,0 - 6,0	11,5	17	19	21,0	25,5	BNSD-01	900
	3,0 - 7,0	11,5	22	20	24,0	31,5	BNSD-01S	600
	4,0 - 8,0	11,5	17	19	21,0	25,5	BNSC-01	900
	5,0 - 10,0	11,5	22	20	24,0	31,5	BNSC-01S	600
NPT 1/2"	5,0 - 9,0	13,0	22	27	30,0	31,0	BNSD-02	500
	6,0 - 12,0	13,0	22	27	30,0	31,0	BNSC-02	500
	7,0 - 12,0	13,0	24	24	26,5	30,0	BNSD-02S	350
NPT 3/4"	9,0 - 16,0	13,0	30	30	33,0	38,0	BNSD-03	200
	13,0 - 18,0	13,0	30	30	33,0	38,0	BNSC-03	200
	12,0 - 20,0	13,0	41	41	45,5	45,5	BNSD-04	100
NPT 1"	18,0 - 25,0	13,0	41	41	45,5	45,5	BNSC-04	100
	22,0 - 32,0	25,6	50	50	55,5	51,0	BNSC-05	50
NPT 1 1/2"	30,0 - 38,0	26,0	60	60	66,5	50,0	BNSC-06	40
NPT 2"	34,0 - 44,0	27,0	65	65	72,0	55,0	BNSC-07	40

### Thread Type **PG** acc. to DIN 40430

Outer Thread Size (Male)	Clamping Range Ø min-max mm	Outer Thread Length TL mm	Spanner Width		Outer Ø D mm	max. Height H mm	Part Number	Minimum Order Quantity
			Cap SW Cap mm	Body SW Body mm				
PG 7	2,0 - 5,0	6,0	14	14	15,5	24,0	BSSD-01	1000
	2,0 - 5,0	10,0	14	14	15,5	24,0	BSSE-01R	1000
	3,0 - 6,5	6,0	14	14	15,5	24,0	BSSC-01	1000
	3,0 - 6,5	10,0	14	14	15,5	24,0	BSSE-01	1000
PG 9	2,0 - 6,0	6,0	17	19	21,0	25,5	BSSD-02	900
	2,0 - 6,0	10,0	17	19	21,0	25,5	BSSE-02R	900
	4,0 - 8,0	6,0	17	19	21,0	25,5	BSSC-02	900
PG 11	4,0 - 8,0	10,0	17	19	21,0	25,5	BSSE-02	900
	3,0 - 7,0	6,0	22	22	24,0	27,5	BSSD-03	600
	3,0 - 7,0	10,0	22	22	24,0	27,5	BSSE-03R	600
PG 13,5	5,0 - 10,0	6,0	22	22	24,0	27,5	BSSC-03	600
	5,0 - 10,0	10,0	22	22	24,0	27,5	BSSE-03	600
	5,0 - 9,0	6,5	22	22	24,0	26,0	BSSD-04	500
	5,0 - 9,0	10,0	22	22	24,0	26,0	BSSE-04R	500
PG 16	6,0 - 12,0	6,5	22	22	24,0	26,0	BSSC-04	500
	6,0 - 12,0	10,0	22	22	24,0	26,0	BSSE-04	500
	7,0 - 12,0	6,5	24	24	26,5	30,0	BSSD-05	400
	7,0 - 12,0	10,0	24	24	26,5	30,0	BSSE-05R	400
PG 21	10,0 - 14,0	6,5	24	24	26,5	30,0	BSSC-05	400
	10,0 - 14,0	10,0	24	24	26,5	30,0	BSSE-05	400
	9,0 - 16,0	7,2	30	30	33,0	35,0	BSSD-06	200
	9,0 - 16,0	12,0	30	30	33,0	35,0	BSSE-06R	200
PG 29	13,0 - 18,0	7,2	30	30	33,0	35,0	BSSC-06	200
	13,0 - 18,0	12,0	30	30	33,0	35,0	BSSE-06	200
	12,0 - 20,0	8,0	41	41	45,5	40,5	BSSD-07	100
	12,0 - 20,0	12,0	41	41	45,5	40,5	BSSE-07R	100
PG 36	18,0 - 25,0	8,0	41	41	45,5	40,5	BSSC-07	100
	18,0 - 25,0	12,0	41	41	45,5	40,5	BSSE-07	100
	20,0 - 26,0	9,0	50	50	55,5	50,0	BSSD-08	50
	20,0 - 26,0	14,0	50	50	55,5	50,0	BSSE-08R	50
PG 42	22,0 - 32,0	9,0	50	50	55,5	50,0	BSSC-08	50
	22,0 - 32,0	14,0	50	50	55,5	50,0	BSSE-08	50
	25,0 - 31,0	12,0	60	60	66,5	51,0	BSSD-09	40
	25,0 - 31,0	16,0	60	60	66,5	51,0	BSSE-09R	40
PG 48	30,0 - 38,0	12,0	60	60	66,5	51,0	BSSC-09	40
	30,0 - 38,0	16,0	60	60	66,5	51,0	BSSE-09	40
	29,0 - 35,0	14,0	65	65	72,0	54,5	BSSD-10	40
	29,0 - 35,0	18,0	65	65	72,0	54,5	BSSE-10R	40
PG 48	34,0 - 44,0	14,0	65	65	72,0	54,5	BSSC-10	40
	34,0 - 44,0	18,0	65	65	72,0	54,5	BSSE-10	40